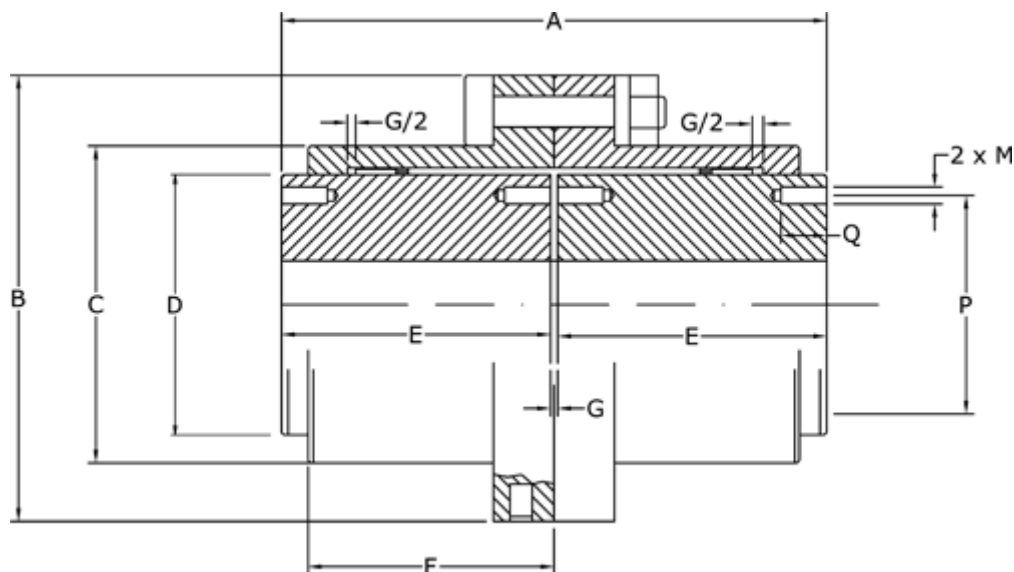


Article number: 3311F175

Description: Gear Coupling FST175 without bore

Measures



A = 278

B = 337

C = 273

D = 235

E = 135

F = 121.0

G = 8

M = M12

P = 205

Q = 18